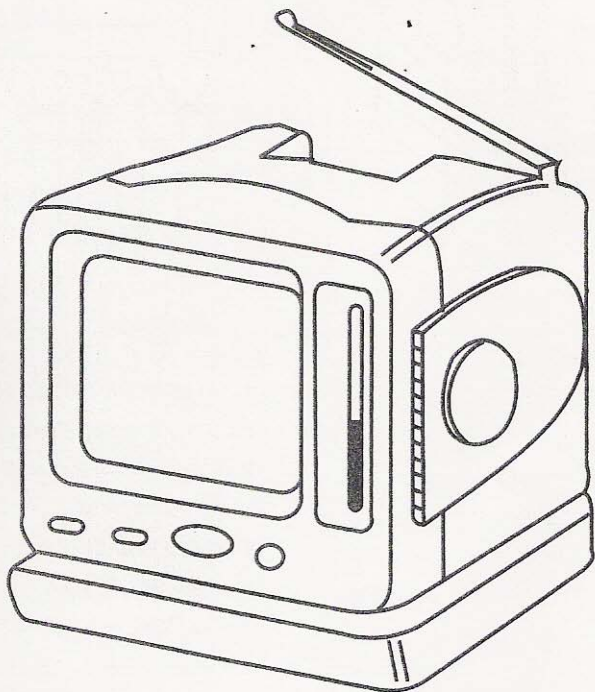


COBY®

CX-TV1

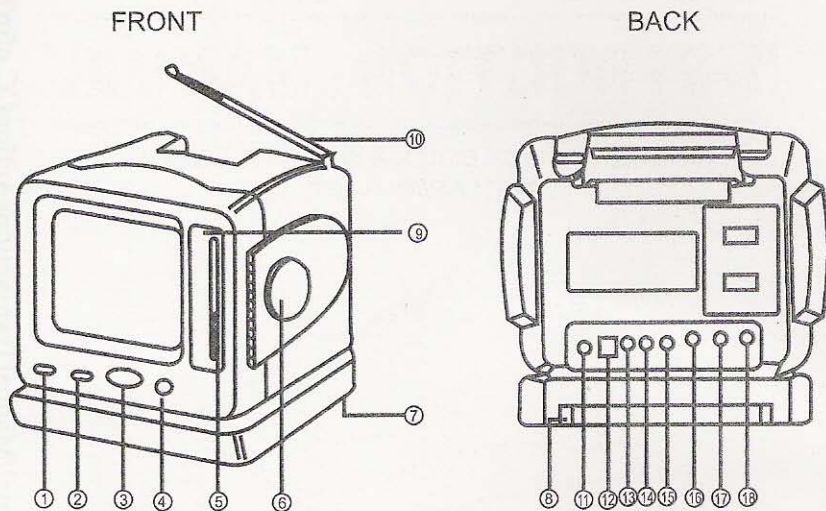
INSTRUCTION MANUAL

PORTABLE 5 INCH BLACK & WHITE TELEVISION
WITH AM/FM RADIO



Read these instructions completely before operating this receiver.

■ LOCATION OF CONTROLS ■



1. POWER SWITCH
RADIO/OFF/TV/AV SWITCH
2. BAND SELECTOR
RADIO: AM/FM BAND
TV: VL/VH/UHF BAND
3. VOLUME CONTROL
4. HEADPHONE JACK
5. DIAL POINTER
6. TUNING CONTROL
7. BATTERY COMPARTMENT
8. BATTERY COVER

9. CHANNEL PLATE
10. TELESCOPIC ANTENNA
11. EXTERNAL ANTENNA JACK
12. DC 12V POWER INPUT JACK
13. AUDIO IN JACK
14. VIDEO IN JACK
15. TV/AV SELECTOR
16. VERTICAL HOLD CONTROL
17. BRIGHTNESS CONTROL
18. CONTRAST CONTROL

■ OPERATING INSTRUCTIONS

TV OPERATION

1. POWER SWITCH (1)

Slide the power switch to the "TV" position.

2. BAND SELECTOR (2)

Slide the band selector to a desired band switch as:

VL=TO select the vhf low channels TV broadcast station.

(EXCEPT I SYSTEM)

VH=TO select the vhf high channels TV broadcast station.

(EXCEPT I SYSTEM)

UHF=TO select the uhf all channels TV broadcast station.

3. VOLUME CONTROL (3)

Adjust the knob for a desired volume level.

4. TUNING CONTROL (6)

Tune a desired tv broadcast station by tuning the tuning Control.

5. BRIGHTNESS CONTROL (17) & CONTRAST CONTROL (18)

If the picture is too bright or too dark, adjust the brightness and contrast controls to suit.

6. VERTICAL HOLD CONTROL (16)

If picture rolls up and down, adjust the vertical hold control.



PRIVATE LISTENING(HEADPHONE)

A headphone jack (4) is provided for your private listening enjoyment when the headphone plug is inserted into the jack.

The internal speaker is automatically disconnected.

NOTE: The jack is designed to permit the use of 3.5 plug headphone only.

CAUTION:

Listening at high power for a long moment could damage users' ears.

RADIO OPERATION

1. Slide the power switch (1) to the radio position.

2. Slide the band selector (2) to a desired band .

3. Tune a desired RADIO broadcast station by tuning the tuning Control (6).

4. Adjust the volume control (3) to a desired level.

AV OPERATION

1. Signal cord plug into jack (13).jack(14)

2. Switch (15).selector AV.

3. Adjust volume control knob(3) for volume level

CAUTION:

Power switch (1) to the "off" position for close unit power source.

Remove the batteries /car/ac adapter sources for a long time.

■ POWER SOURCES ■

BEFORE ENJOYING THE UNIT, PLEASE BE SURE THAT POWER SOURCE SELECTOR(15) IS SET TO THE PROPER POSITION.

AC ADAPTER OPERATION



TO use the adapter, plug the small round end of the adapter into the DC12V jack(12) Then plug the two pronged plug into AC wall outlet.

WARNING

Before plugging into AC wall outlet. make sure the inside or outside adapter voltage selector is set for the voltage used in your location.

12V CAR/BOAT ADAPTER OPERATION

Plug the torpedo-shaped end of the adapter into the socket, making sure to push it all the way in. Now plug the small end of the adapter into the DC 12V jack (12) The set will now operate on the current of your Car/Boat power source.

IMPORTANT: 12V DC adapter operates only with a negative ground battery system. If you are not certain your vehicle operates on a 12-volt DC, negative-ground system, consult your vehicle's user manual.

BATTERY OPERATION

Open the battery cover(8), then install TEN 1.5V 'C' size batteries into the compartment (7) and close the case. Be sure negative and positive terminals are positioned as indicated in the battery compartment.

When either of the above mentioned adapter is plugged into the TV, the power from the batteries is automatically disconnected.

CAUTION:

Do not mix batteries of different composition or old with new batteries.
Do not mix alkaline or standard(carbon zinc) with rechargeable(nickel cadmium)batteries.

EXTERNAL ANTENNA

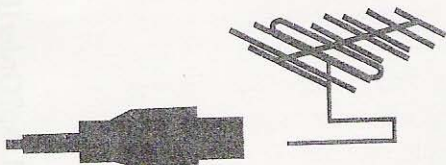
If desired you may hook-up an outdoor antenna to your portable TV set. This will give you greater range and clearer reception for channels that are difficult to receive with the telescopic antenna.

To hook-up the outdoor antenna, connect the VHF or UHF antenna to antenna adapter and connect antenna adapter to External antenna Jack (11) (See illustration)

Note:

When the antenna adapter is plugged into the external antenna jack, the telescopic antenna is automatically disconnected.

EXTERNAL ANTENNA



When the TV receiver's signal is weak. Connect to a external antenna as illustrated below

SPECIFICATIONS

TV System :	NTSC/M
Channel Range :	VHF-Lo : CH 2-6 VHF-Hi : CH 7-13 UHF : CH 14-83
Radio :	AM : 530-1710 KHz FM : 88-108 MHz
Antenna Input Impedance :	75 ohm telescopic antenna 75 ohm ext. Antenna (use antenna pad)
CRT :	5" diag. 70 def
Resolution :	More than 280 lines
Sound Output :	0.5watt
Power Sources :	1. 12V 850mA AC adapter 2. 10 X "C" size alkaline or rechargeable batteries 3. Car battery(use car battery cord)
Power Consumption :	8W @ DC 12V input (Average)
Dimension :	190(W)×203(H)×172(L)mm
Net Weight :	2.0kgs (Approx)
Gross Weight :	2.3kgs (Approx)
Average Battery Life at 25C :	1: Alkaline"C" size X 10-about 5 to 7 hrs 2, Rechargeable Ni-MH/Ni-Cd batteries "C"sizex10-about 1.5 to 1.9 hrs
Accessories Included :	Car battery cord, AC Adapter Antenna adapter