



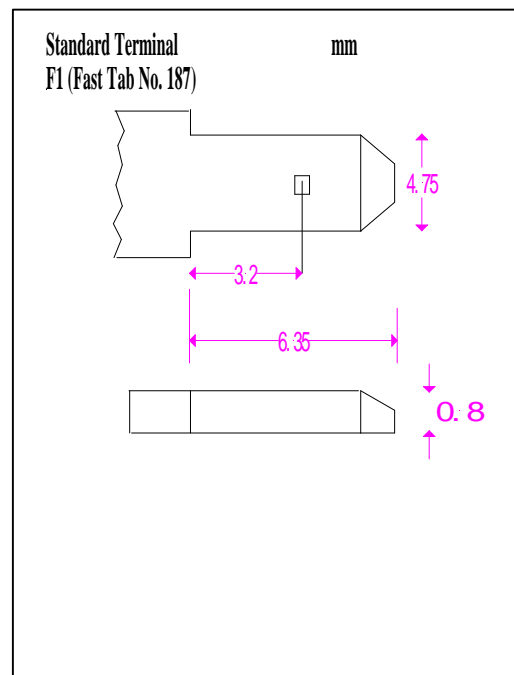
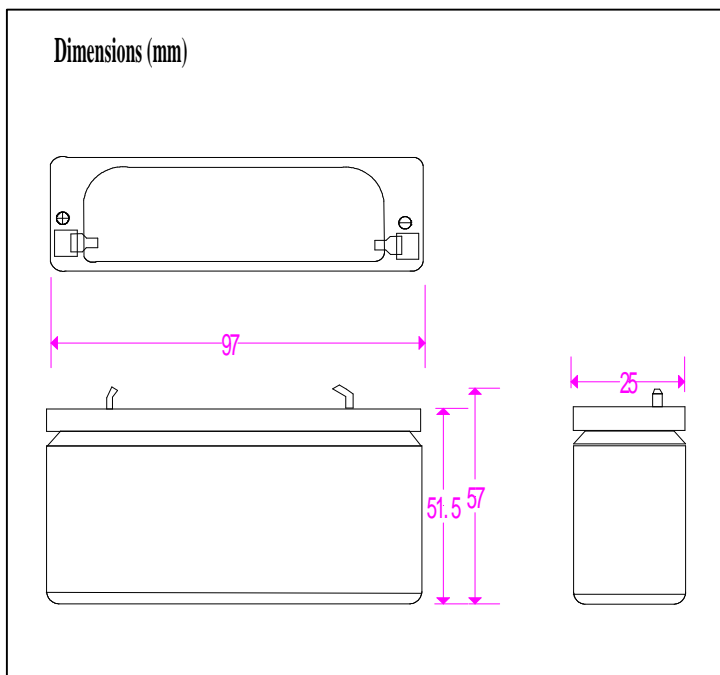
UB613 (6V1.3Ah)

NOTE



PHYSICAL SPECIFICATIONS

Nominal Voltage Nominal Capacity (20HR)		6V 1.3 Ah
Dimensions	Length	97 +/-1mm(3.82 inches)
	Width	25 +/-1mm(0.98 inches)
	Height	51.5 +/-1mm(2.03 inches)
	Total Height	57 +/-1mm(2.24 inches)
Weight		Approx. 0.308 kg (0.68lbs)
Standard Terminal		F1 – Faston Tab No.187





ELECTRICAL SPECIFICATIONS

Capacity	0.05 CA	0.065 A	20 HR	1.3 Ah	Max. charging Current	0.39A	
	0.1 CA	0.13 A	10 HR	1.3 Ah			
Capacity affected by Temperature	0.17 CA	0.221 A	5 HR	1.105Ah	Constant Voltage Charge	Cycle	7.0 to 7.5V (-15mV °C)
	0.2 CA	0.26 A	4 HR	1.04 Ah			
	0.6 CA	0.78 A	1 HR	0.78 Ah			
	1 CA	1.3 A	27 MIN	0.585Ah			
	3 CA	3.9 A	7 MIN	0.468Ah			
Capacity affected by Temperature		40°C(104°F)		105%	Standby	6.75 to 6.9V (-10mV °C)	
		20°C(68°F)		100%			
		0°C(32°F)		85%			
Internal Resistance Fully charged battery (20°C, 68°F) 42milliohms							

